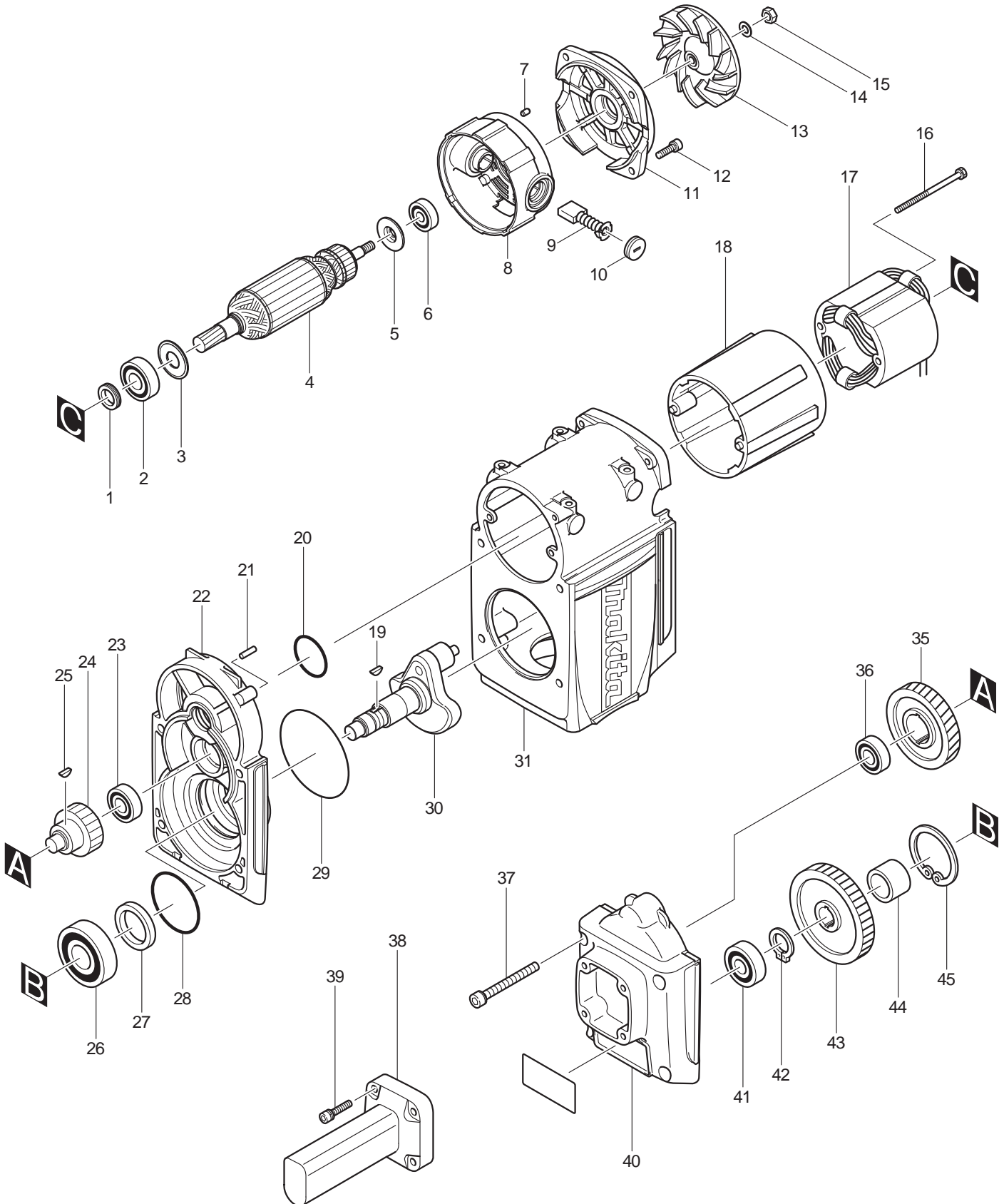


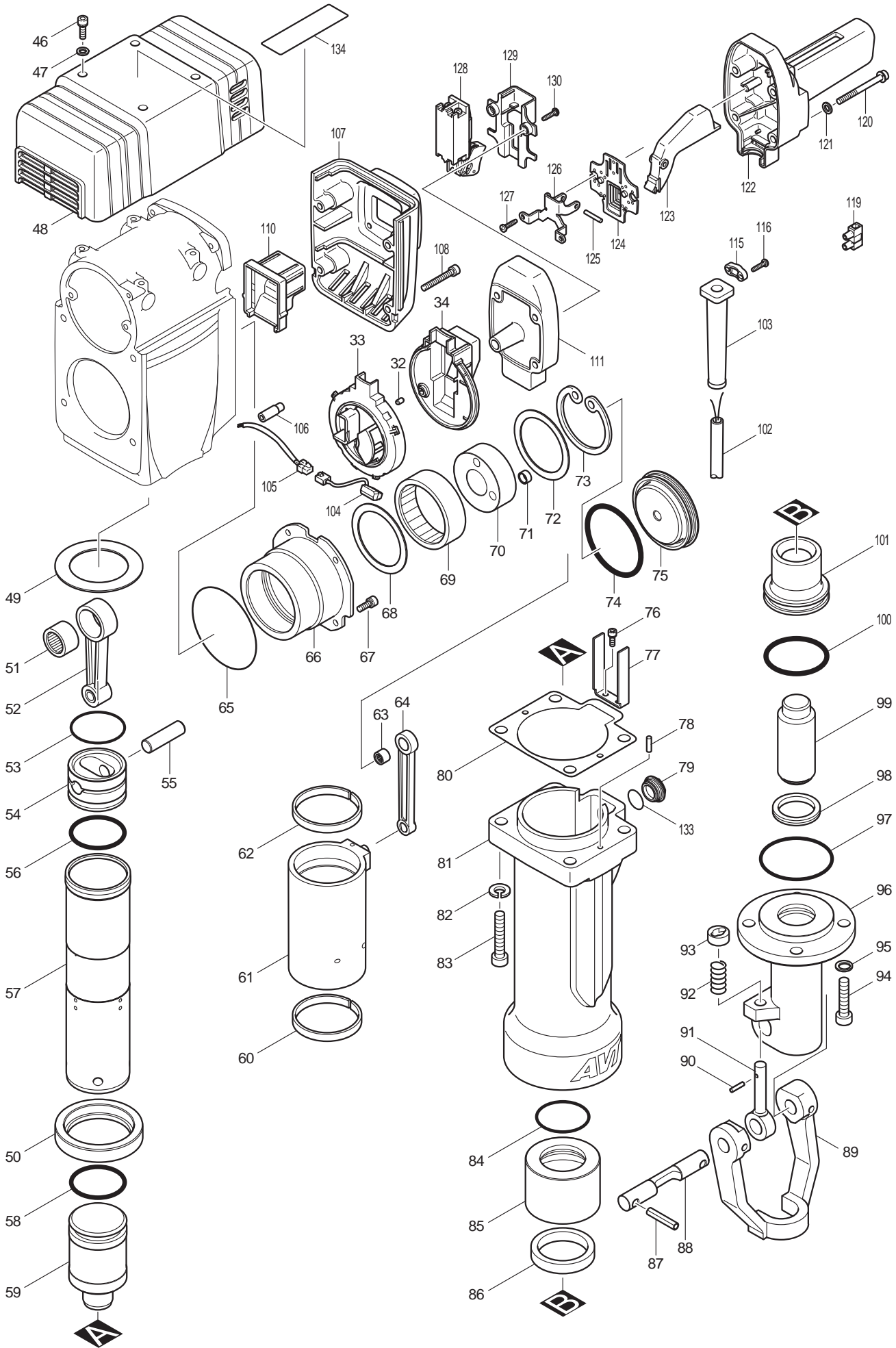


07 - 2009

HM1810

1-1/8" HEX ELECTRIC BREAKER





Item No.	Part No.	Description	Q'ty	Unit
1	322566-3	SCREW SEAL	1	PC.
2	211256-2	BALL BEARING 6203LLB	1	PC.
3	267706-5	WASHER 17	1	PC.
4	516921-1	ARMATURE ASS'Y 115V	1	PC.
	INC.	Item No. 1-3,5,6		
5	681646-7	INSULATION WASHER	1	PC.
6	211087-9	BALL BEARING 6200DDW (OLD# 211066-7)	1	PC.
7	263002-9	RUBBER PIN 4	4	PC.
8	154586-7	MOTOR HOUSING B COMPLETE	1	PC.
	INC. 414665-6	FIX RING	2	PC.
	INC. 643711-0	BRUSH HOLDER	2	PC.
9	191957-7	A.C. CARBON BRUSH CB-204, 2PCS/SET	1	SET
10	643710-2	BRUSH HOLDER CAP	2	PC.
11	317899-9	BEARING BOX	1	PC.
12	265366-7	HEX. SOCKET HEAD BOLT M6X22	4	PC.
13	240024-6	FAN 100	1	PC.
14	253165-9	FLAT WASHER 8	1	PC.
15	931402-8	HEX. NUT M8	1	PC.
16	265344-7	+ HEX. BOLT M5X85	2	PC.
17	626151-7	FIELD 115V	1	PC.
18	414787-2	MOTOR HOUSING A	1	PC.
19	254001-2	WOODRUFF KEY 4	2	PC.
20	213507-9	O RING 40	1	PC.
21	256151-9	PIN 5	1	PC.
22	154585-9	GEAR HOUSING COMPLETE	1	PC.
	INC.	Item No. 20, 28		
23	211209-1	BALL BEARING 6202	1	PC.
24	226251-9	SPUR GEAR 22	1	PC.
25	254001-2	WOODRUFF KEY 4	2	PC.
26	211361-5	BALL BEARING 6305LLB	1	PC.
27	213476-4	OIL SEAL 35	1	PC.
28	213721-7	O RING 61	1	PC.
29	213806-9	O RING 90	1	PC.
30	154588-3	CRANK SHAFT COMPLETE	1	PC.
31	318027-9	* CRANK HOUSING	1	PC.
32	263002-9	RUBBER PIN 4	1	PC.
33	419262-3	* CRANK HOUSING CAP	1	PC.
34	419263-1	* CAP COVER (OLD#418953-3)	1	PC.
35	221793-8	HELICAL GEAR 50	1	PC.
36	211209-1	BALL BEARING 6202	1	PC.
37	922496-4	HEX. SOCKET HEAD BOLT M8X75	4	PC.
38	418415-1	SIDE HANDLE	1	PC.
39	922353-6	HEX.SOCKET HEAD BOLT M6X30	4	PC.
40	317902-6	GEAR HOUSING COVER	1	PC.
41	211214-8	BALL BEARING 6302	1	PC.
42	961060-6	RETAINING RING S-20	1	PC.
43	226242-0	SPUR GEAR 47	1	PC.
44	331416-1	SLEEVE 25	1	PC.
45	962301-3	RETAINING RING R-62	1	PC.
46	922331-6	HEX. SOCKET HEAD BOLT M6X20	4	PC.
47	941152-7	FLAT WASHER 6	4	PC.
48	183984-8	MOTOR HOUSING COVER SET (TYPE 1) - N/L/A	1	PC.
	INC.	Item No. 134		
	419324-7	MOTOR HOUSING COVER (TYPE 2)	1	PC.

Item No.	Part No.	Description	Q'ty	Unit
49	267296-8	FLAT WASHER 63	1	PC.
50	324580-5	SPACER	1	PC.
51	212358-7	NEEDLE BEARING 2520	1	PC.
52	322476-4	CONNECTING ROD	1	PC.
53	213662-7	O RING 55	1	PC.
54	324536-8	PISTON	1	PC.
55	268130-5	PIN 15	1	PC.
56	213666-9	O RING 52	1	PC.
57	331694-3	CYLINDER LINER 62	1	PC.
58	213666-9	O RING 52	1	PC.
59	324546-5	STRIKER	1	PC.
60	418949-4	SPACER 68	1	PC.
61	154589-1	BALLANCER COMPLETE	1	PC.
62	418949-4	SPACER 68	1	PC.
63	212075-9	* NEEDLE ROLLER BEARING 1010 (OLD) - N/L/A	1	PC.
64	154946-3	* CONNECTING ROD COM.	1	PC.
65	213855-6	O RING 95	1	PC.
66	318028-7	* CRANK BOX	1	PC.
67	922331-6	HEX. SOCKET HEAD BOLT M6X20	4	PC.
68	267297-6	FLAT WASHER 65	1	PC.
69	212701-0	NEEDLE BEARING 7025	1	PC.
70	154587-5	CRANK COMPLETE	1	PC.
71	331718-5	* SPACER	1	PC.
72	267297-6	FLAT WASHER 65	1	PC.
73	962354-2	RETAINING RING R-80	1	PC.
74	213765-7	O RING 78	1	PC.
75	418952-5	STOPPER	1	PC.
76	266464-0	* HEX. SOCKET HEAD BOLT M5X20	2	PC.
77	345569-0	PLATE	1	PC.
78	256151-9	PIN 5	1	PC.
79	450347-6	* CAP	1	PC.
80	162241-7	GASKET	1	PC.
81	158861-3	* BARREL COMPLETE	1	PC.
82	942301-9	SPRING WASHER 12	4	PC.
83	922677-0	HEX. SOCKET BOLT M12X55	4	PC.
84	213660-1	O RING 53	1	PC.
85	322548-5	CYLINDER B	1	PC.
86	262050-5	RUBBER RING 54	1	PC.
87	951272-9	SPRING PIN 8-40	2	PC.
88	324238-6	TOOL RETAINER SHAFT	1	PC.
89	324236-0	TOOL RETAINER	1	PC.
90	256219-1	PIN 4	2	PC.
91	322477-2	TOOL RETAINER POLE	2	PC.
92	233083-7	COMPRESSION SPRING 12	2	PC.
93	322560-5	RETAINER RING	2	PC.
94	265989-1	HEX. SOCKET BOLT M12X45	4	PC.
95	253989-3	SPRING WASHER 12	4	PC.
96	324539-2	TOOL HOLDER 29	1	PC.
97	213755-0	O RING 75	1	PC.
98	213517-6	X RING 40	1	PC.
99	324545-7	IMPACT BOLT	1	PC.
100	213667-7	O RING 60	1	PC.
101	324541-5	IMPACT BOLT HOLDER	1	PC.
102	664290-5	CORD W/PLUG 2P-14-5.0M	1	PC.

Item No.	Part No.	Description	Q'ty	Unit
103	682547-2	CORD GUARD 15	1	PC.
104	631670-0	PILOT LAMP	1	PC.
105	638378-7	LEAD UNIT	1	PC.
106	418951-7	LENS	1	PC.
107	317901-8	REAR CASE	1	PC.
108	922366-7	HEX. SOCKET HEAD BOLT M6X45	4	PC.
110	418954-1	TOP COVER	1	PC.
111	419044-3	HANDLE SUB BASE	1	PC.
115	687066-3	STRAIN RELIEF	1	PC.
116	265999-8	TAPPING SCREW 4X25	2	PC.
119	654554-5	TERMINAL	2	PC.
120	265535-0	HEX.SOCKET HEAD BOLT M6X65	4	PC.
121	941152-7	FLAT WASHER 6	4	PC.
122	418333-3	HANDLE	1	PC.
123	418332-5	SWITCH LEVER	1	PC.
124	421850-4	DUST PLATE	1	PC.
125	256206-0	PIN 4	1	PC.
126	345355-9	SUPPORT	1	PC.
127	265995-6	TAPPING SCREW 4X18	2	PC.
128	651131-4	SWITCH C3D-15MS	1	PC.
129	419045-1	SWITCH COVER	1	PC.
130	265995-6	TAPPING SCREW 4X18	2	PC.
133	213953-6	* O RING 22	1	PC.
134	819213-0	MAKITA LOGO LABEL	1	PC.
135	265995-6	* TAPPING SCREW 4X18 (Added)	1	PC.
136	424132-3	CAP RUBBER (Added)	2	PC.

### **ACCESSORIES**

A01	783203-8	HEX. WRENCH 5	1	PC.
A02	-----	BULL POINT, CLAY SPADE, COLD CHISEL, RAMMER, SCALING CHISEL, ETC. (SEE CATALOGUE FOR DETAILS)	1	PC.
A03	A-90582	HAMMER GREASE 30G (OLD# 181490-7)	1	PC.
A04	122010-A	HAMMER CART	1	PC.
	INC. R8321	8" SEMI-PNEUMATIC WHEEL	1	PC.
	INC. 963	COTTER PIN	1	PC.
	INC. 3108	AXLE	1	PC.

## **SERVEICE CHANGES**

### **1. Changes on Crank Housing**

<b>Item No.</b>	<b>Description</b>	<b>Type 1</b>	<b>Type 2</b>
31	Crank Housing	317903-4 (N/L/A)	318027-9
66	Crank Box	317900-0 (N/L/A)	318028-7

*\*Above parts are interchangeable as a set.*

### **2. Changes on Cap and Crank Housing Cap**

34	Cap Cover	418953-3 (N/L/A)	419263-1
33	Crank Housing Cap	418955-9 (N/L/A)	419262-3
135	Tapping Screw M4x18	-----	265995-6

*\*Above parts are interchangeable as a set.*

### **3. Changes on Connecting Rod, etc.**

<b>Item No.</b>	<b>Description</b>	<b>Type 1</b>	<b>Type 2</b>
64	Connecting Rod	324535-0	154946-3
63	Needle Roller Bearing	212075-9	-----
71	Ring 10 / Spacer	257267-3 (Ring 10)	331718-5 (Spacer)

*\*Above parts are interchangeable as a set.*

### **4. Changes on Barrel Complete, etc.**

<b>Item No.</b>	<b>Description</b>	<b>Type 1</b>	<b>Type 2</b>	<b>Type 3</b>
76	H.S.H Bolt M5x16	-----	265908-7	266464-0
81	Barrel / Barrel Com.	317905-0 (N/L/A)	154692-8	158861-3

*\*Above parts are interchangeable as a set.*

### **5. Changes on Cap, etc.**

<b>Item No.</b>	<b>Description</b>	<b>Type 1</b>	<b>Type 2</b>
79	Cap	324606-3	450347-6
133	O Ring 22	213373-4 (Size 22)	213953-6 (Size 24)

*\*Above parts are interchangeable as a set.*